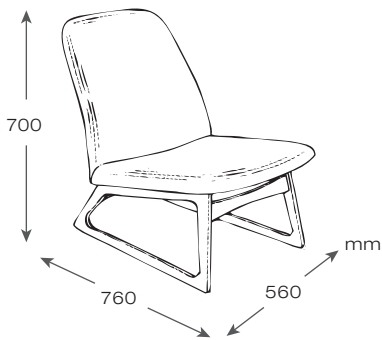


JAPAN

UA021

YEAR OF DESIGN 1960S



**MATZ
FORM**

678 Shaanxi North Rd 5F Jing'an Shanghai China
中国上海静安区陕西北路678号5层
ZIP CODE 200040
PHONE +86-21 6380 1455
FAX +86-21 6380 5259
hello@matzform.com

